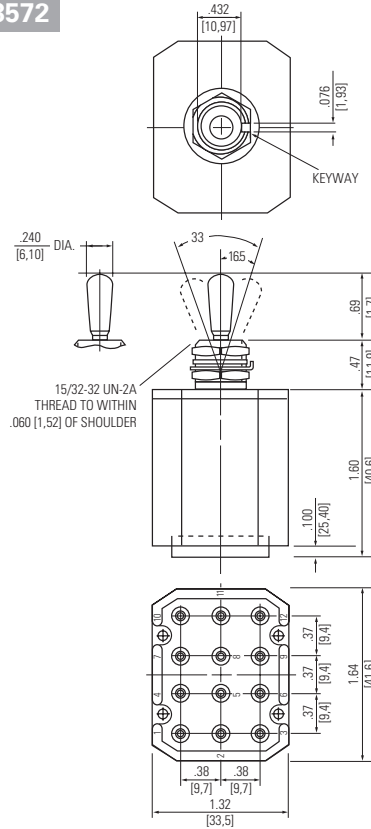


MILITARY - ENVIRONMENTALLY SEALED SWITCHES MIL-DTL-3950 IWTS Toggles

Series - 8570, 8571, 8572

MOUNTING DIMENSIONS - FOUR POLE/ 8572



Terminal Identification

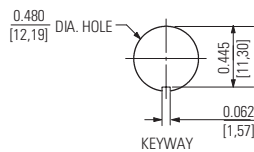
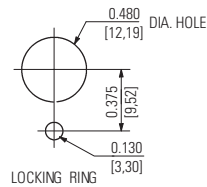
Non-functional terminals not supplied.

OPTIONS/ACCESSORIES

- Special mounting hardware
- Mounting hardware furnished assembled
- Special circuits
- Panel seal, part number 32-341 (See Accessories and Custom Components section)
- Special "3 Cateye" luminous lever attachment
- Lever extensions and attachable tips (See Accessories and Custom Components section)
- Custom wiring harnesses

PANEL CUTOUT DIMENSIONS

15/32 DIA. BUSHING



STANDARD

0.00 = inches

[0,0] = mm

Mounting dimensions for reference only.